

# ASH Series High Performance Pressure Transducer



**bf1systems**

The Competitive Advantage

The ASH Series of High Performance Pressure Transducers have been designed for high temperature installations in motorsport and automotive applications; ideal for high precision data acquisition or control systems. These transducers can be installed directly onto vehicles, or as part of a test stand or dyno.

Offering a high level of reliability and endurance the ASH is protected against the high vibration, shock and high temperatures found in motorsport. Continuous operation up to 150°C allows for installations in hot zones. With a modular construction and programmable amplifier, this provides a fast delivery time for standard and custom configurations.

Pressure ranges are available between 1.2 to 400 Bar in either Absolute or Sealed Gauge reference. Industry standard 3-wire electrical connections for the Pressure signal allow configuration with most common ECU's and data logging systems. The ASH Series is race proven in many formulae around the world, offering a cost effective solution for professional engineers.

## Technical Specifications

<b>Pressure Reference</b>	Absolute Or Sealed Gauge
<b>Standard Pressure Ranges (Bar)</b>	Low Range: 1.2, 4 & 10 High Range: 50, 100, 200 & 400
<b>Proof Pressure (Over Range)</b>	300% of Range / 150% of Range
<b>Burst Pressure</b>	>1000% of Range / >300% of Range, to a Max. of 1000 bar
<b>Accuracy</b>	±0.08% FS Combined Linearity & Hysteresis (CNLH) ±0.2% FS Combined Linearity & Hysteresis (CNLH)
<b>Thermal Accuracy</b>	<±0.25% FS TEB within Compensated Range Zero ±0.01% FS/°C (Sensitivity ±0.01% of Reading /°C)
<b>Outputs</b>	0.5V to 4.5V (±0.25%)
<b>Supply</b>	5V (±0.5V) Ratiometric or 8-16V d.c.
<b>Operating Temperature Range</b>	Low Range: -15°C to +150°C High Range: -40°C to +150°C
<b>Compensated Temperature Range</b>	0°C to +125°C
<b>Bandwidth</b>	0-1000Hz, 2000Hz or 5000Hz (Select at time of Order)
<b>Construction</b>	Fully Welded Stainless Steel (with a Viton internal O-ring)
<b>Electrical Connection</b>	100cm 26AWG, 55 Spec Wire + DR25 Sleeve
<b>Process Connection (Thread Sizes)</b>	Please see Part Number Configurator
<b>Protection Class</b>	IP67. Dust tight & water immersion to 1m for 30mins
<b>Weight</b>	54g (Including Cable)

bf1systems adopts a continuous development program which sometimes necessitates specification changes without notice.

## Features

- High Fatigue Life
- High Accuracy
- 1.2 to 400 Bar Range
- Rugged Design
- Amplified Output

## Applications

- Coolant
- Brakes
- Water
- Boost
- Fuel
- Oil

## Contact Us:

bf1systems  
Unit 13 Springfield Business  
Park  
Priest Court  
Grantham  
Lincolnshire  
NG31 7FZ  
United Kingdom

+44 (0)1476 568057  
sales@bf1systems.com

# Part Number Configuration

**Pressure Reference**

**Pressure Range**

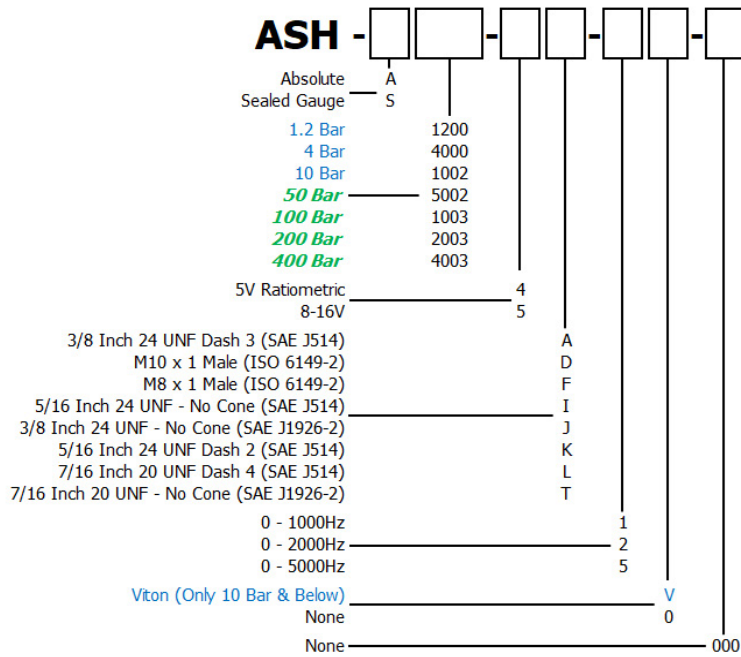
**Supply Voltage**

**Process Connection**

**Bandwidth**

**O-Ring Material (Internal)**

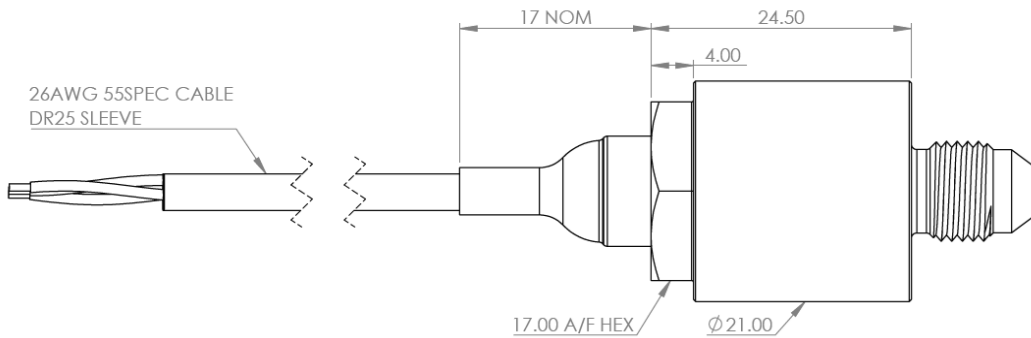
**Special Code**



**Features**

- High Fatigue Life
- High Accuracy
- 1.2 to 400 Bar Range
- Rugged Design
- Amplified Output

# Mechanical Details



**Applications**

- Coolant
- Brakes
- Water
- Boost
- Fuel
- Oil

# Connection Details

+VE Supply	0V Supply	Signal
Red	Black	White

**Contact Us:**

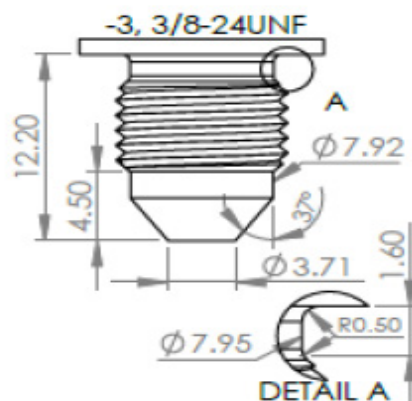
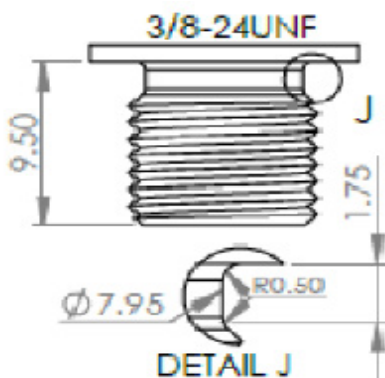
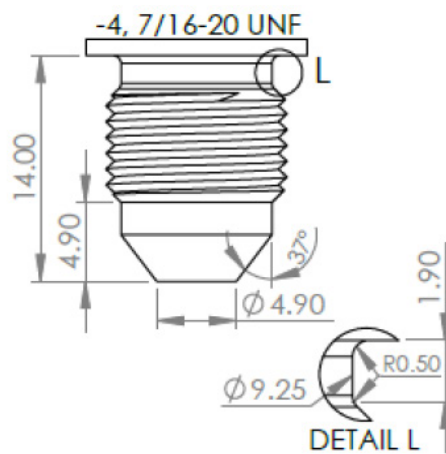
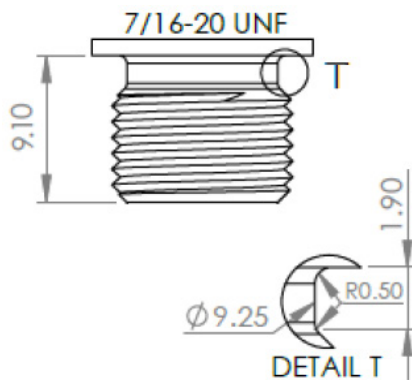
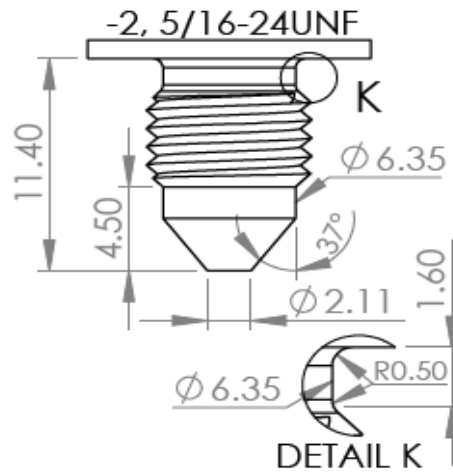
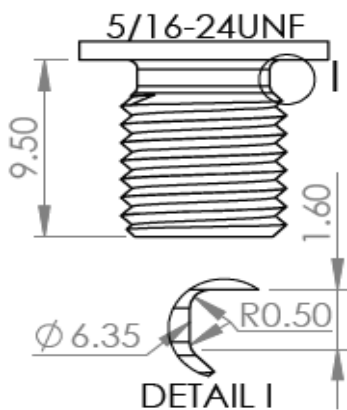
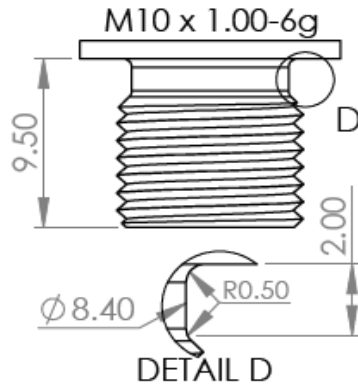
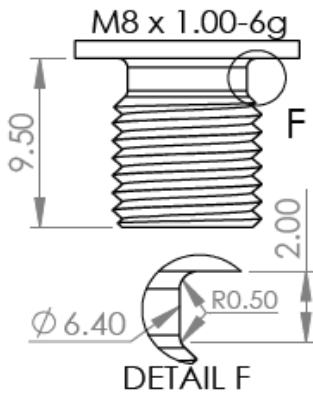
bf1systems  
 Unit 13 Springfield Business Park  
 Priest Court  
 Grantham  
 Lincolnshire  
 NG31 7FZ  
 United Kingdom

+44 (0)1476 568057  
 sales@bf1systems.com

## Process Connections

**bf1systems**

The Competitive Advantage



### Features

- High Fatigue Life
- High Accuracy
- 1.2 to 400 Bar Range
- Rugged Design
- Amplified Output

### Applications

- Coolant
- Brakes
- Water
- Boost
- Fuel
- Oil

### Contact Us:

bf1systems  
Unit 13 Springfield Business  
Park  
Priest Court  
Grantham  
Lincolnshire  
NG31 7FZ  
United Kingdom

+44 (0)1476 568057  
sales@bf1systems.com