

ASM Series Miniature High Temperature Pressure Transducer



The ASM Series of Miniature High Temperature Pressure Transducers have been designed for high temperature installations in demanding motorsport and automotive applications; ideal for high precision data acquisition or control systems. These transducers can be installed directly onto vehicles, or as part of a test stand or dyno.

Offering a high level of reliability and endurance, the ASM Series is protected against the high vibration, shock and high temperatures found in motorsport. With a modular construction and a programmable amplifier, this provides a large stock available of standard parts for fast delivery.

Pressure ranges are available between 1 to 250 Bar in either Absolute or Sealed Gauge reference. Industry standard 3-wire electrical connections allow configuration with most common ECU's and data logging systems. The ASM Series is race proven in many formulae around the world, offering a cost effective solution for professional engineers.

Technical Specifications

Pressure Reference	Absolute or Sealed Gauge
Standard Pressure Ranges (Bar)	Low Range: 1, 2, 5, 10, 35 & 50 High Range: 100, 200 & 250
Proof Pressure (Over Range)	300% of Range / 150% of Range
Burst Pressure	>1000% of Range / >300% of Range
Accuracy	±0.08% FS Combined Linearity & Hysteresis (CNLH) ±0.2% FS Combined Linearity & Hysteresis (CNLH)
Thermal Accuracy	<±0.25% FS TEB within Compensated Range Zero ±0.01% FS/°C (Sensitivity ±0.01% of Reading /°C)
Outputs	0.5V to 4.5V (±0.5%)
Supply	5V (±0.5V) Ratiometric or 8-16Vdc (<20mA)
Operating Temperature Range	-40°C to +150°C
Compensated Temperature Range	0°C to +125°C
Bandwidth	0-1000Hz, 5000Hz (Selectable at time of Order)
Construction	Stainless Steel, fully welded
Electrical Connection	100cm 26AWG, 55 Spec Wire + DR25 Sleeve
Process Connection (Thread Sizes)	Please see Part Number Configurator
Protection Class	IP67. Dust tight & water immersion to 1m for 30mins
EMC Protection & Vibration	EN E50082-1 and Mil-Std-810C, Curve L, 20G
Weight	28g (Including Cable)

bf1systems adopts a continuous development program which sometimes necessitates specification changes without notice.

bf1systems

The Competitive Advantage

Features

- High Temperature
- Miniature Size
- 1 to 250 Bar Range
- Rugged Construction
- Amplified Output
- High Accuracy

Applications

- Coolant
- Brakes
- Water
- Boost
- Fuel
- Oil

Contact Us:

bf1systems
Unit 13 Springfield Business
Park
Priest Court
Grantham
Lincolnshire
NG31 7FZ
United Kingdom

+44 (0)1476 568057
sales@bf1systems.com

Part Number Configuration

Pressure Reference

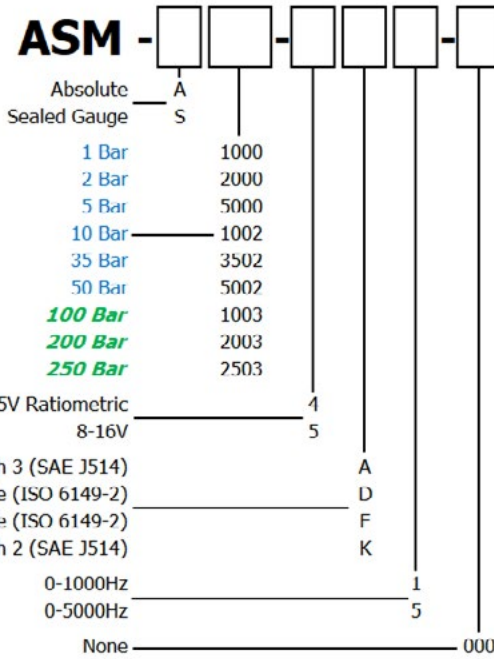
Pressure Range

Supply Voltage

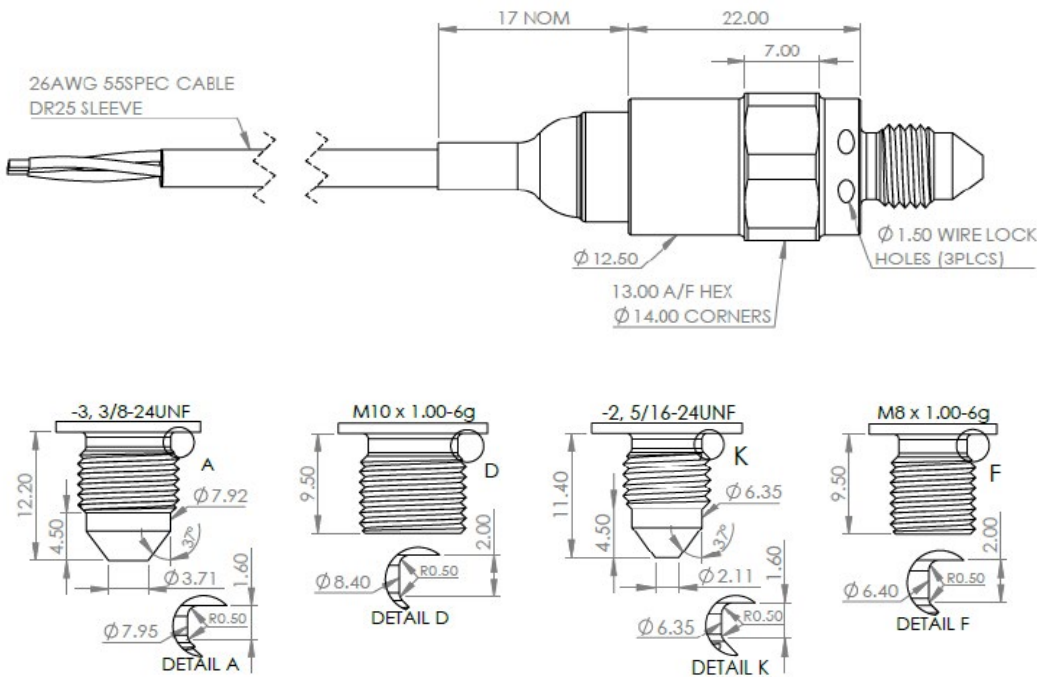
Process Connection

Bandwidth

Special Code



Mechanical Details



Connection Details

+VE Supply	0V Supply	Signal
Red	Black	White

Features

- High Temperature
- Miniature Size
- 1 to 250 Bar Range
- Rugged Construction
- Amplified Output
- High Accuracy

Applications

- Coolant
- Brakes
- Water
- Boost
- Fuel
- Oil

Contact Us:

bf1systems
 Unit 13 Springfield Business
 Park
 Priest Court
 Grantham
 Lincolnshire
 NG31 7FZ
 United Kingdom

+44 (0)1476 568057
 sales@bf1systems.com