

ASUH Series 4-20mA Hybrid Pressure Transducer



The ASUH Series of High Performance Sub-Miniature Pressure Transducers have been designed for demanding high temperature installations in precision engineering. The new design utilises miniaturised hybrid components, allowing savings in both size and weight.

This transducer has enhanced performance at elevated temperature and is optimised for extreme installations such as on-engine or transmissions. With a modular construction and programmable amplifier, this provides a fast delivery time for standard and custom configurations.

Pressure ranges are available between 1 to 400 Bar in either Absolute or Sealed Gauge reference. Industry standard 2-wire electrical connections allow configuration with most common ECU's and data logging systems.

Technical Specifications

Product Range	≤50 bar	>50 bar
Pressure Range	Absolute or Sealed Gauge	
Standard Pressure Ranges (Bar)	1 to 50 (see configurator)	100 to 400 (see configurator)
Proof Pressure (Over Range)	200% of Range	150% of Range
Burst Pressure	>500% of Range	>300% of Range, to a Maximum of 1000 bar
Accuracy (CNLH)	±0.08% FS	±0.25% FS
Thermal Accuracy	<±0.25% FS TEB within Compensated Range	Zero ±0.02% FS/°C (Sensitivity ±0.02% of Reading /°C)
Output	4-20mA (±0.5%)	
Supply	9-40Vdc	
Operating Temperature Range	-40°C to +150°C	
Compensated Temperature Range	0 to 125°C	
Bandwidth	0-1000Hz (Standard) - Other Frequencies Available	
Construction	17-4 Stainless Steel	
Electrical Connection	26AWG, 55 Spec Wire + DR25 Sleeve Or, Hermetic Connector: 8STA1-Y02-05PN170	Hermetic Connector: 8STA1-Y02-05PN170
Process Connection (Thread Size)	Please See Part Number Configurator	
Protection Class	IP67 (Cable Option), Hermetic Seal (Connector)	
Weight	Cable Option: 27g Connector Option: 21g	

bf1systems adopts a continuous development program which sometimes necessitates specification changes without notice.

bf1systems

The Competitive Advantage

Features

- Sub-Miniature Size
- 4-20mA Output
- 1 to 400 Bar Range
- Cable or Connector
- 0-1000Hz Bandwidth
- ±0.08% Accuracy

Applications

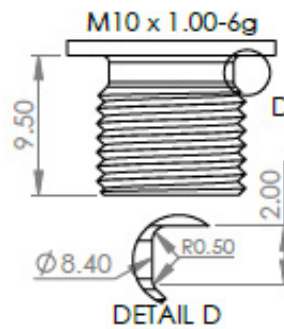
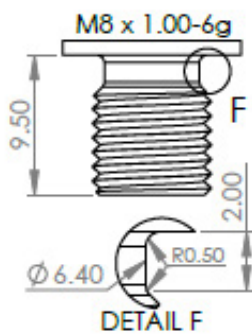
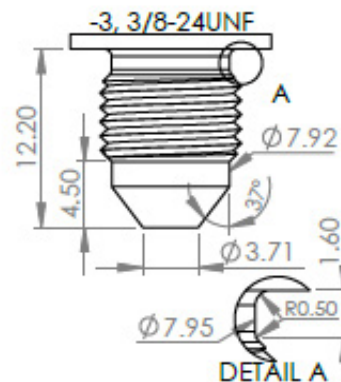
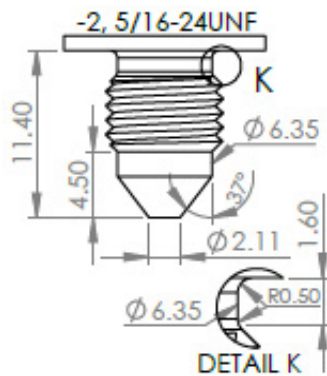
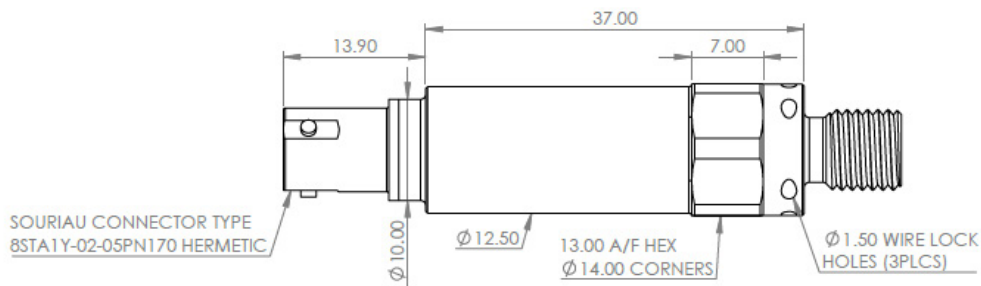
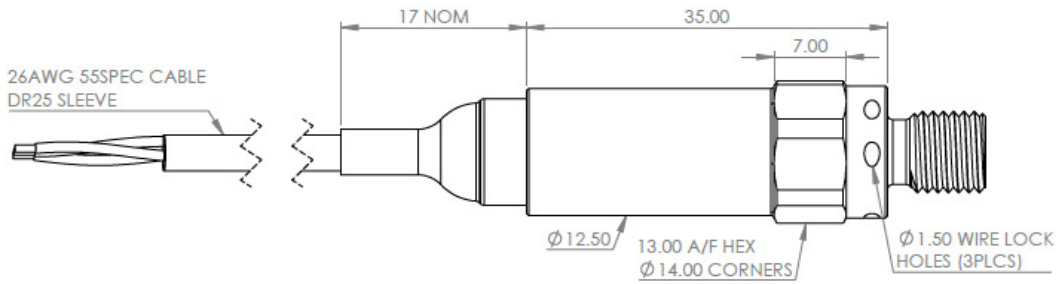
- Coolant
- Brakes
- Water
- Boost
- Fuel
- Oil

Contact Us:

bf1systems
Unit 13 Springfield Business Park
Priest Court
Grantham
Lincolnshire
NG31 7FZ
United Kingdom

+44 (0)1476 568057
sales@bf1systems.com

Mechanical Details



bf1systems

The Competitive Advantage

Features

- Sub-Miniature Size
- 4-20mA Output
- 1 to 400 Bar Range
- Cable or Connector
- 0-1000Hz Bandwidth
- $\pm 0.08\%$ Accuracy

Applications

- Coolant
- Brakes
- Water
- Boost
- Fuel
- Oil

Contact Us:

bf1systems
Unit 13 Springfield Business
Park
Priest Court
Grantham
Lincolnshire
NG31 7FZ
United Kingdom

+44 (0)1476 568057
sales@bf1systems.com

Part Number Configuration

Pressure Reference

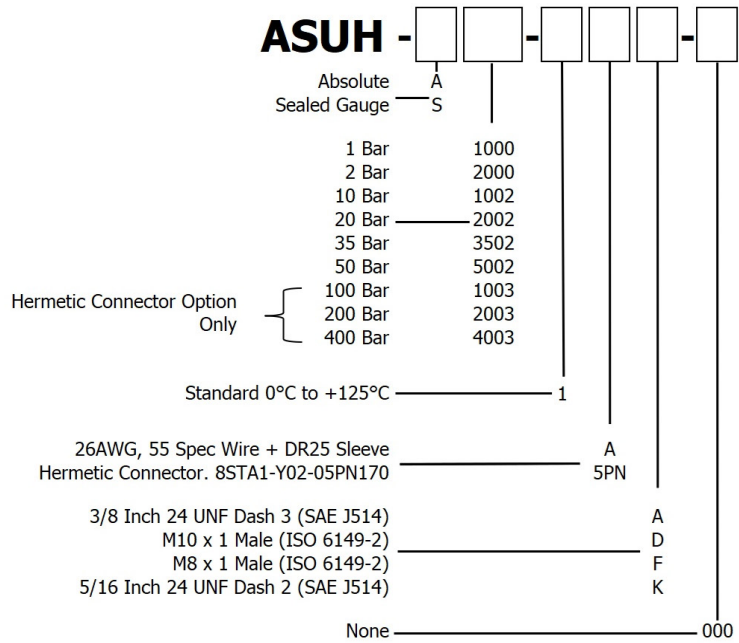
Pressure Range

Compensated Temperature Range (CTR)

Electrical Connection

Process Connection

Special Code



Features

- Sub-Miniature Size
- 4-20mA Output
- 1 to 400 Bar Range
- Cable or Connector
- 0-1000Hz Bandwidth
- ±0.08% Accuracy

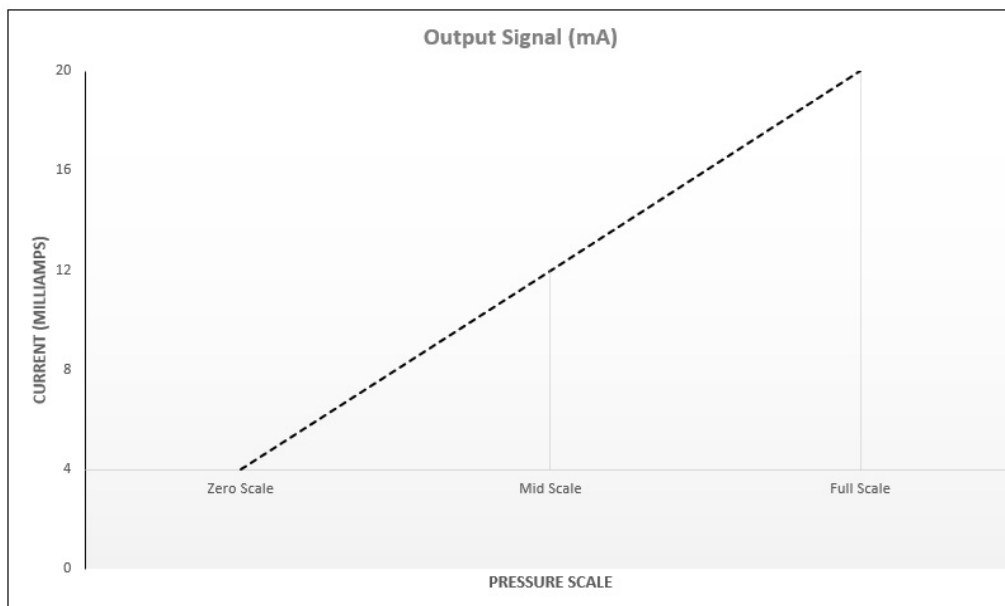
Connection Details

Function	+Ve Supply	GND	Factory Use Only
Cable Option Wire Colour	Red	Black	White
Connector Option Pin-Out	Pin 1	Pin 2	Pin 3

Applications

- Coolant
- Brakes
- Water
- Boost
- Fuel
- Oil

Output Details



Contact Us:

bf1systems
 Unit 13 Springfield Business Park
 Priest Court
 Grantham
 Lincolnshire
 NG31 7FZ
 United Kingdom

+44 (0)1476 568057
 sales@bf1systems.com