

ASL SERIES STANDARD PRESSURE TRANSDUCER



The ASL Series of Standard Pressure Transducers have been designed for the detection of fluid and air pressures in demanding motorsport and automotive applications; ideal for high precision data acquisition or control systems. These transducers can be installed directly onto vehicles, or as part of a test stand or dyno.

Offering a high level of reliability and endurance, the ASL Series is protected against the high vibration, shock and high temperatures found in motorsport. With a modular construction and a programmable amplifier, this provides a large stock available of standard parts for fast delivery.

Pressure ranges are available between 2 to 200 Bar in either Absolute or Sealed Gauge reference, with an optional pressure port snubber to assist with filtering pressure spikes.

Industry standard 3-wire electrical connections allow configuration with most common ECU's and data logging systems. The ASL Series is race proven in many formulae around the world, offering a cost effective solution for professional engineers.

TECHNICAL SPECIFICATIONS

| | |
|-----------------------------------------|------------------------------------------------------------|
| Pressure Reference | Absolute or Sealed Gauge |
| Pressure Ranges (Bar) | 2, 10, 35, 100 & 200 |
| Proof Pressure (Over range) | 150% of Range |
| Burst Pressure | >300% of Range |
| Accuracy | ±0.5% FS Combined Linearity & Hysteresis (CNLH) |
| Thermal Accuracy | Zero ±0.04% FS/°C (Sensitivity ±0.04% of Reading /°C) |
| Output | 0.5V to 4.5V (±0.5%) |
| Supply | 5V - 40V d.c. (Less than 20mA consumption) |
| Operating Temperature Range | -20°C to +135°C |
| Compensated Temperature Range | 0°C to +125°C |
| Construction | Stainless Steel with either EPDM or Viton internal O-rings |
| Electrical Connection | 50cm 26AWG, FEP Insulated Screened Cable |
| Process Connection (Thread Size) | Please see Part Number Configurator |
| Protection Class | IP67, Dust tight & water immersion to 1m for 30mins |
| EMC Protection & Vibration | EN E50082-1 and Mil-Std-810C, Curve L, 20G |
| Weight | 34g |

KA Sensors adopts a continuous development program which sometimes necessitates specification changes without notice.

Sensors For Motorsport

Features

- Compact Design
- 2 to 200 Bar Range
- Amplified Output
- Rugged Design
- ±0.5% Accuracy
- Optional Snubber

Applications

- Coolant
- Brakes
- Water
- Boost
- Fuel
- Oil

kasensors.com
sales@kasensors.com

ASL 08.22

PART NUMBER CONFIGURATOR

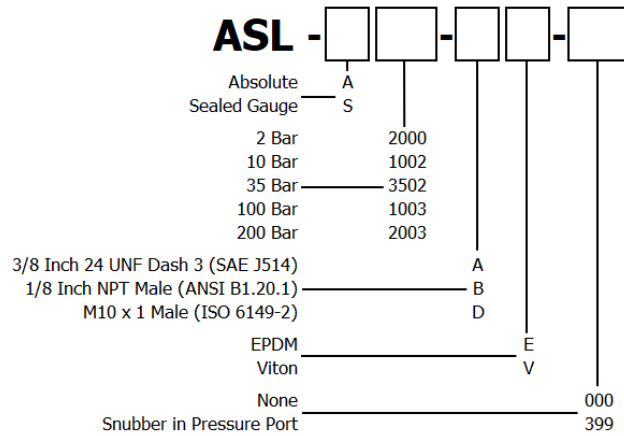
Pressure Reference

Pressure Range

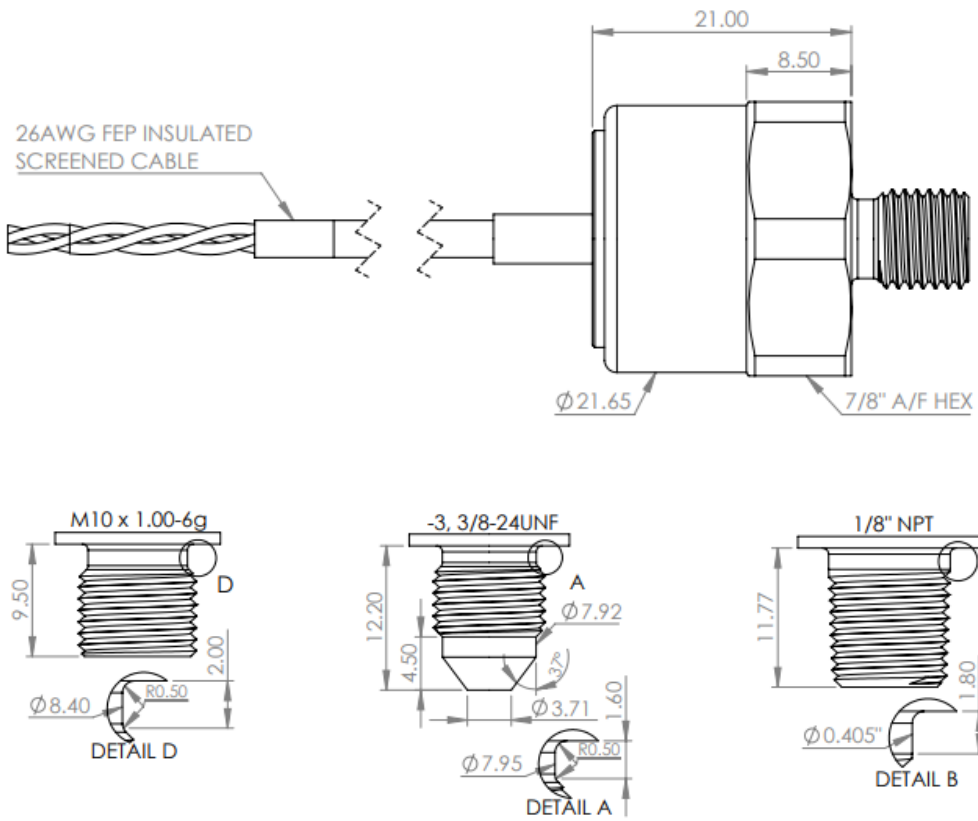
Process Connection

O-Ring Material (Internal)

Special Code



MECHANICAL DETAILS



CONNECTION DETAILS

| +Ve Supply | 0V Supply | Signal |
|------------|-----------|--------|
| Red | Black | White |

*Sense
Analyse
Control*

Services for:

- Data Logging
- Telemetry
- Controls
- Wiring

Contact us

KA Sensors Ltd
Unit 13, Priest Court
Springfield Business Park
Grantham
United Kingdom
NG31 7FZ

kasensors.com
sales@kasensors.com

ASL 08.22