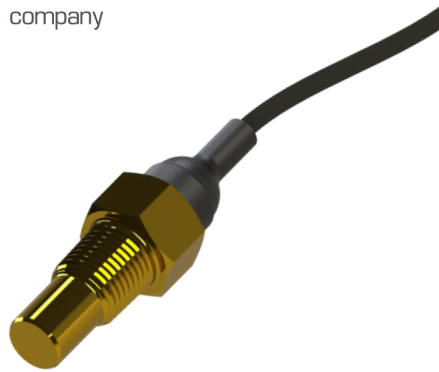


NPT SERIES NPT1 FLUID TEMPERATURE SENSOR



The NPT1 Series of High Performance Temperature Sensors are designed to measure the temperatures of fluid in demanding motorsport and automotive testing applications.

The sensing element can be either a PT1000 or a NTC 3KΩ Thermistor; calibration of each is well defined and can be installed into most common ECUs and data logging systems.

Construction in either brass or stainless steel with standard motorsports cable and sleeve will protect from the harsh environments around the vehicle.

The NPT1 Series are race proven in many formulae around the world and offer a reliable and robust solution for professional engineers.

TECHNICAL SPECIFICATIONS

Ranges (FS)	-30°C to +150°C
Accuracy	<±1°C
Response Time	<10 Seconds
Sensor Type	NTC 3KΩ or PT1000
Construction	Brass or Stainless Steel
Electrical Connection	100cm, 26AWG 55 Spec wire + DR25 Sleeve
Mechanical Connection	1/8 Inch NPT Male (ANSI B1.20.1)
Protection Class	IP67
Weight (Excluding Cable)	Brass: 20g Stainless Steel: 20g

	NTC3KΩ	PT1000
Temp °C	Output Ω	Output Ω
-30	53100.00	882.20
-20	29121.00	921.60
-10	16599.00	960.90
0	9795.00	1000.00
10	5970.00	1039.00
20	3747.00	1077.90
25	3000.00	1097.30
30	2417.10	1116.70
40	1598.10	1155.40
50	1080.90	1194.00
60	746.40	1232.40
70	525.60	1270.80
80	376.50	1309.00
90	274.59	1347.10
100	203.46	1385.10
110	153.09	1422.90
120	116.79	1460.70
130	90.28	1498.30
140	70.58	1535.80
150	55.79	1573.30

KA Sensors adopts a continuous development program which Sometimes necessitates specification changes without notice.

Sensors For Motorsport

Features

- 1/8" NPT Thread
- Miniature Size
- -30°C to +150°C
- PT1000 or NTC
- Rugged Construction

Applications

- Coolant
- Water
- Brake
- Fuel
- Oil

kasensors.com
sales@kasensors.com

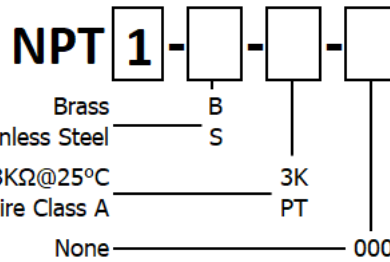
NPT1 10.22

PART NUMBER CONFIGURATOR

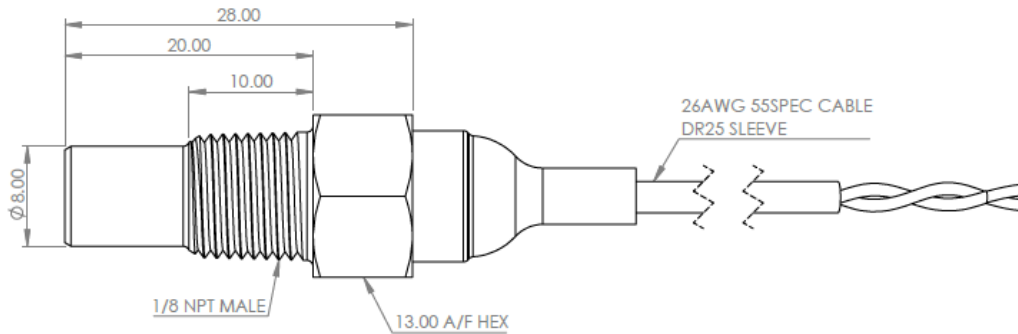
Construction

Sensor Type

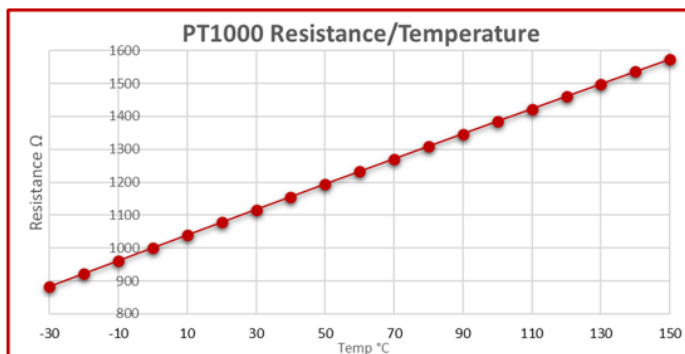
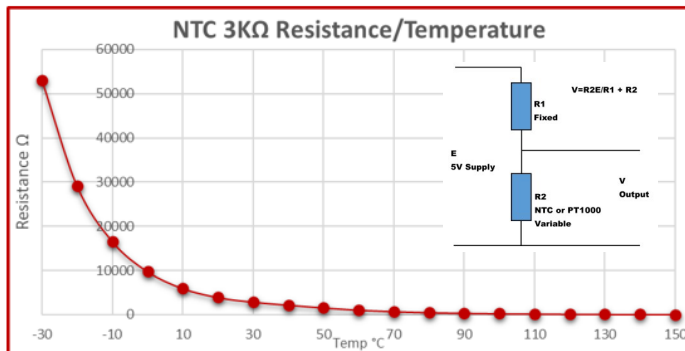
Special Code



MECHANICAL DETAILS



NTC 3KΩ / PT1000 TEMPERATURE GRAPHS



CONNECTION DETAILS

Output	Output
Red	White

Sense
Analyse
Control

Services for:

- Data Logging
- Telemetry
- Controls
- Wiring

Contact us

KA Sensors Ltd
Unit 13, Priest Court
Springfield Business Park
Grantham
United Kingdom
NG31 7FZ

kasensors.com
sales@kasensors.com

NPT1 10.22