

KP SERIES KP13C COMPACT LIGHT DUTY LINEAR POSITION SENSOR



The KP Series of KP13C Compact Light Duty Linear Position Sensors are designed to withstand the harsh environments within motorsport and automotive testing applications. By using a proven conductive plastic, track technology and multi-fingered contacts, the KP13C offers high performance and reliability under extreme temperature and vibration.

With standard measurement ranges from 25mm to 150mm, the Stainless Steel Shaft is fitted with IP67 rated seals which helps protect against the harshest conditions. With regards to operational temperature range, the KP13C offers high performance and reliability at temperatures up to +150°C. Alternatively, it is capable of operational excellence in cold environments down to -40°C.

Cable exit can be manufactured to have to be either Forward or Reverse exit. Also, a Carbon Sleeve option is also available to protect the shaft against debris and other damage. For critical applications where redundancy is required, we can also offer a Dual Output Sensor within the same package size.

TECHNICAL SPECIFICATIONS

Ranges (Zero mm to:)	25, 50, 75, 100, 125, 150
Resolution	Essentially Infinite
Repeatability	≤0.01mm
Operational Speed	10m/s Maximum
Mechanical Life	>25 Million Cycles
Supply	5V Typical (40Vdc Maximum)
Wiper Current	<10µA
Linearity	≤0.5%
Electrical Connection	50cm 26AWG, 55Spec + FDR Sleeve
Track Technology	Conductive Plastic
Operating Temperature Range	-40°C to +150°C
Construction	Aluminium Housing and Stainless Steel Shaft
Protection Class	IP67
Options	Please see our separate KP Series Accessories Datasheet

KA Sensors adopts a continuous development program which sometimes necessitates specification changes without notice.

Sensors For Motorsport

Features

- 13mm Ø Body
- IP67 Standard Sealed
- Bearing Mounting
- 25mm to 150mm
- ±0.5% Linearity
- Long Life

Applications

- Damper Position
- Throttle Pedal
- Aero Surface
- Actuators

kasensors.com

sales@kasensors.com

KP13C 10.22

PART NUMBER CONFIGURATOR

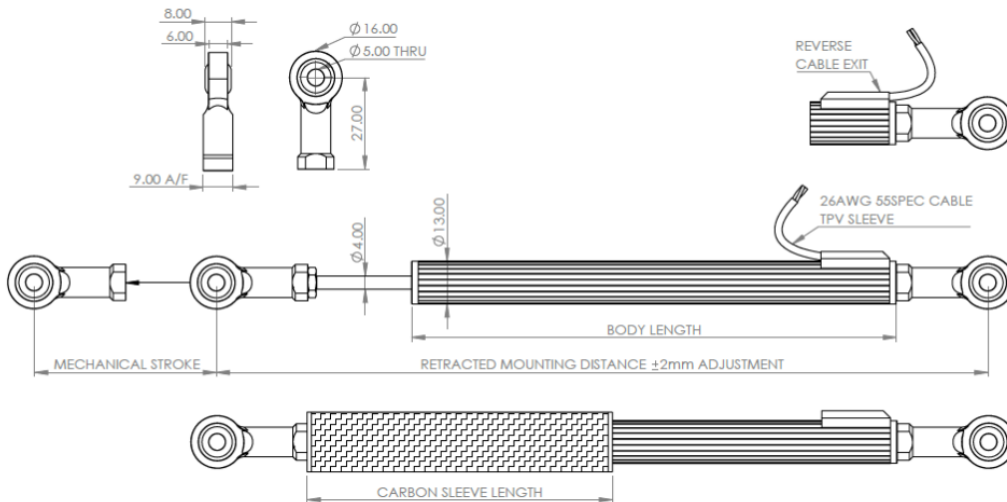
	KP13C	-	-	-	-	-	-	-
Range (Stroke)	25mm	025						
	50mm	050						
	75mm	075						
	100mm	100						
	125mm	125						
	150mm	150						
Cable Exit	Forward		F					
	Reverse		R					
Dual Output	No			0				
	Yes - All Ranges Available			1				
Flange Mount	No				0			
	Yes - Not with Carbon Fibre Sleeve Option				1			
Special Code	None							000
	Carbon Fibre Sleeve							159

*Sense
Analyse
Control*

Services for:

- Data Logging
- Telemetry
- Controls
- Wiring

MECHANICAL DETAILS



Active Electrical Stroke (mm)	25	50	75	100	125	150
Retracted Mounting Distance (mm)	142	167	192	217	242	267
Mechanical Stroke (mm)	27	52	77	102	127	152
Body Length (mm)	97	122	147	172	197	222
Weight Without Cable (g)	43	47	53	58	63	68
Resistance (KOhms±20%)	1.7	3.4	5	6.7	8.4	10
Carbon Sleeve Length (mm)	40	65	90	115	140	165

Contact us

KA Sensors Ltd
Unit 13, Priest Court
Springfield Business Park
Grantham
United Kingdom
NG31 7FZ

CONNECTION DETAILS

	+Ve Supply	0V Supply	Signal
Single Output	Red	Black	Yellow
Dual Output	Brown	Blue	White

Output signal may be reversed by swapping connections to the Red and Black wires.
DO NOT connect +Ve Supply to the Yellow wire as this will cause damage to the sensor element.

kasensors.com
sales@kasensors.com

KP13C 10.22