



ASM SERIES MINIATURE HIGH TEMPERATURE PRESSURE TRANSDUCER

The ASM Series of Miniature High Temperature Pressure Transducers have been designed for high temperature installations in demanding motorsport and automotive applications; ideal for high precision data acquisition or control systems. These transducers can be installed directly onto vehicles, or as part of a test stand or dyno.

Offering a high level of reliability and endurance, the ASM Series is protected against the high vibration, shock and high temperatures found in motorsport. With a modular construction and a programmable amplifier, this provides a large stock available of standard parts for fast delivery.

Pressure ranges are available between 1 to 250 Bar in either Absolute or Sealed Gauge reference. Industry standard 3-wire electrical connections allow configuration with most common ECU's and data logging systems. The ASM Series is race proven in many formulae around the world, offering a cost effective solution for professional engineers.

TECHNICAL SPECIFICATIONS

Pressure Reference	Absolute or Sealed Gauge
Standard Pressure Ranges (Bar)	Low Range: 1, 2, 5, 10, 35 & 50 High Range: 100, 200 & 250
Proof Pressure (Over-range)	300% of Range / 150% of Range
Burst Pressure	>1000% of Range / >300% of Range
Accuracy	±0.08% FS Combined Linearity & Hysteresis (CNLH) ±0.2% FS Combined Linearity & Hysteresis (CNLH)
Thermal Accuracy	<±0.25% FS TEB within Compensated Range Zero ±0.01% FS/°C (Sensitivity ±0.01% of Reading /°C)
Output	0.5V to 4.5V (±0.5%)
Supply	5V (±0.5V) Ratiometric or 8-16Vdc (<20mA)
Operating Temperature Range	-40°C to +150°C
Compensated Temperature Range	0°C to +125°C
Bandwidth	0-1000Hz, 5000Hz (Selectable at time of Order)
Construction	Stainless Steel, fully welded
Electrical Connection	100cm 26AWG, 55 Spec Wire + DR25 Sleeve
Process Connection (Thread Size)	Please see Part Number Configurator
Protection Class	IP67. Dust tight & water immersion to 1m for 30mins
EMC Protection & Vibration	EN E50082-1 and Mil-Std-810C, Curve L, 20G
Weight	28g (Including Cable)

KA Sensors adopts a continuous development program which sometimes necessitates specification changes without notice.

Sense
Analyse
Control

Features

- High Temperature
- Miniature Size
- 1 to 250 Bar Range
- Rugged Construction
- Amplified Output
- High Accuracy

Applications

- Coolant
- Brakes
- Water
- Boost
- Fuel
- Oil

bf1systems.com

sales@kasensors.com

ASM
KA016P-DS (rev1)

PART NUMBER CONFIGURATOR

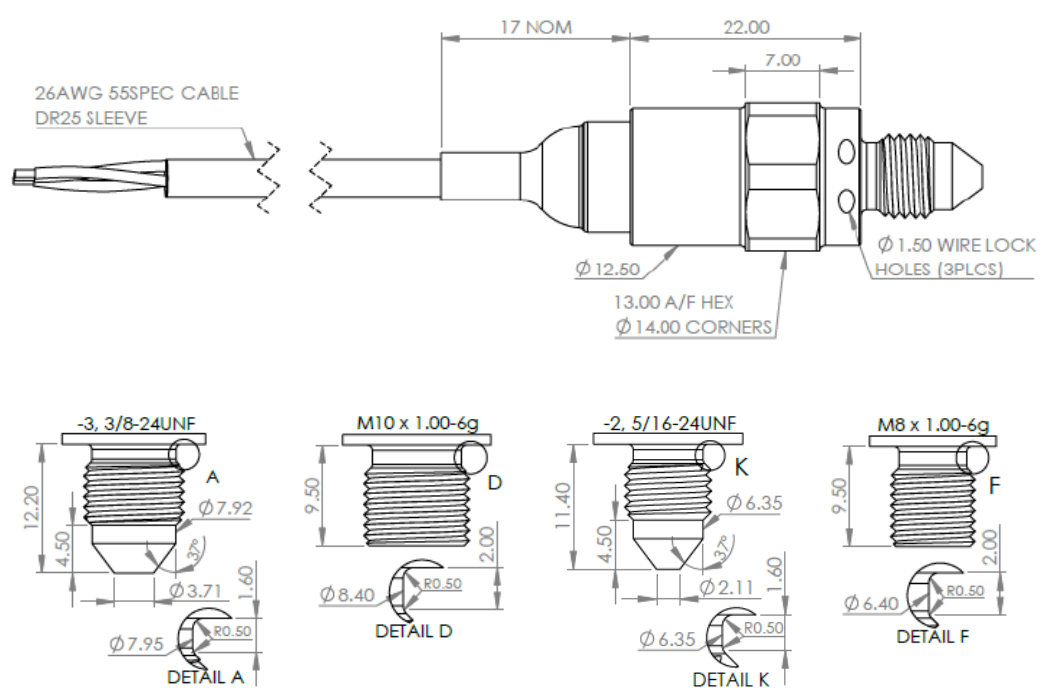
	ASM -	<input type="checkbox"/>	<input type="checkbox"/>	<input type="checkbox"/>	<input type="checkbox"/>	<input type="checkbox"/>	<input type="checkbox"/>	<input type="checkbox"/>	<input type="checkbox"/>
Pressure Reference	Absolute Sealed Gauge	A	S						
Pressure Range	1 Bar	1000							
	2 Bar	2000							
	5 Bar	5000							
	10 Bar	1002							
	35 Bar	3502							
	50 Bar	5002							
	100 Bar	1003							
	200 Bar	2003							
	250 Bar	2503							
Supply Voltage	5V Ratiometric					4			
	8-16V					5			
Process Connection	3/8 Inch 24 UNF Dash 3 (SAE J514)						A		
	M10 x 1 Male (ISO 6149-2)						D		
	M8 x 1 Male (ISO 6149-2)						F		
	5/16 Inch 24 UNF Dash 2 (SAE J514)						K		
Bandwidth	0-1000Hz							1	
	0-5000Hz							5	
Special Code	None								000

Sense
Analyse
Control

Services for:

- Data Logging
- Telemetry
- Controls
- Wiring

MECHANICAL DETAILS



Contact us

KA Sensors Ltd
Unit 13, Priest Court
Springfield Business Park
Grantham
United Kingdom
NG31 7FZ

bf1systems.com
sales@kasensors.com

ASM
KA016P-DS (rev1)

CONNECTION DETAILS

+Ve Supply	0V Supply	Signal
Red	Black	White