



*Sense  
Analyse  
Control*

## KAP SERIES DIFFERENTIAL PRESSURE TRANSDUCER

The KAP Series is designed for the measurement of dynamic air/gas pressure on or within a vehicle. When used with a Pitot Tube the transducer measures the differential air pressure which is proportional to air speed. Alternatively the KAP can be connected to pressure tappings on aero surfaces to evaluate aerodynamic performance. These transducers are suitable for use directly onto vehicles or as part of a test stand or dyno. Offering a high level of reliability and endurance, the KAP is protected against the high vibration, shock and high temperatures found in motorsport. Also suitable for wet/wet installations.

With a modular construction and programmable amplifier, this provides a fast delivery time for standard configurations. Pressure ranges are available between 25 to 75 mBar Differential. Industry standard 3-wire electrical connections allow configuration with most common ECU's and data logging systems.

The KAP Series is race proven and can be found in many race series around the world. Please see our separate datasheet (KAPT) for details of the standard and custom Pitot Tubes that can be supplied.

### Features

- Miniature Size
- 5V or 8-16V Supply
- 25 to 75 mBar Range
- Rugged Design
- Amplified Output

## TECHNICAL SPECIFICATIONS

<b>Pressure Reference</b>	Differential
<b>Standard Pressure Ranges (mBar)</b>	25, 50 & 75
<b>Safe Over Range</b>	300% of Range
<b>Burst Pressure</b>	1000% of Range
<b>Accuracy</b>	±0.5% FS Combined Linearity & Hysteresis (CNLH)
<b>Thermal Accuracy</b>	Zero ±0.02% FS/°C (Sensitivity ±0.02% of Reading /°C)
<b>Output</b>	0.5V to 4.5V (±0.5%)
<b>Supply</b>	5V (±0.5V) Ratiometric or 8-16Vdc
<b>Operating Temperature Range</b>	-40°C to +125°C
<b>Compensated Temperature Range</b>	0°C to +125°C
<b>Construction</b>	Anodised Aluminium and Stainless Steel
<b>Electrical Connection</b>	100cm 26AWG, 55Spec Wire + DR25 Sleeve
<b>Process Connection</b>	Barb Fitting (To Suit 2mm ID Tube)
<b>Protection Class</b>	IP67. Dust tight & water immersion to 1m for 30mins
<b>EMC Protection &amp; Vibration</b>	EN E50082-1 and Mil-Std-810C, Curve L, 20G
<b>Weight</b>	Sensor: 30g, Pitot Tube: 60g

### Applications

- Aerodynamics
- Air Speed

bf1systems.com

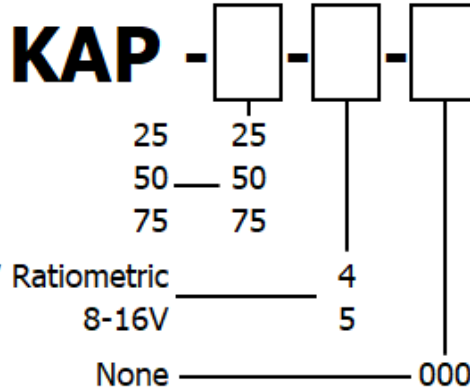
sales@kasensors.com

KA Sensors adopts a continuous development program which sometimes necessitates specification changes without notice.

PRESSURE | TEMPERATURE | FORCE | TORQUE | POSITION | SPEED | ACCELERATION | GYRO

KAP  
KA022P-DS (rev1)

## PART NUMBER CONFIGURATOR

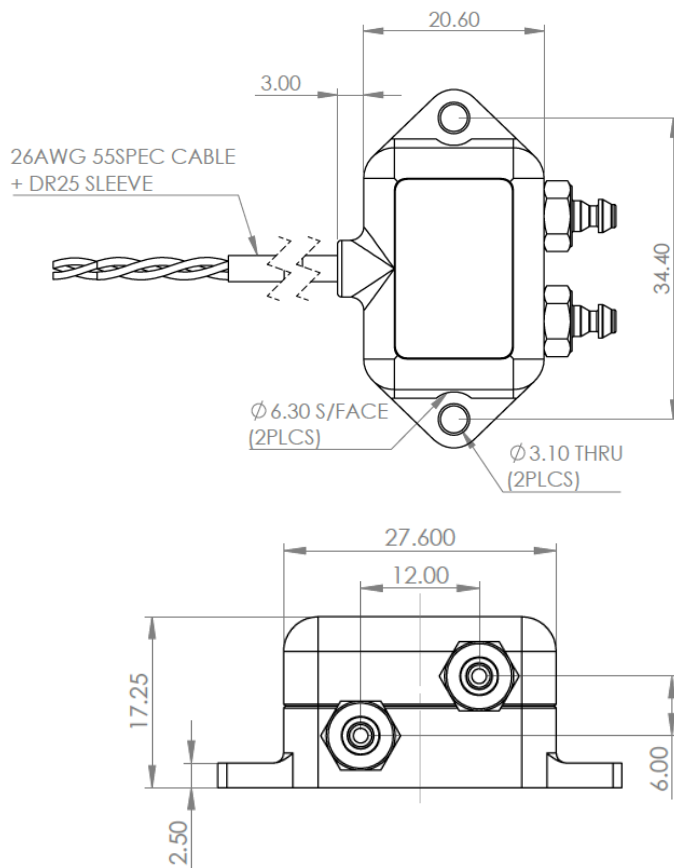


*Sense  
Analyse  
Control*

Services for:

- Data Logging
- Telemetry
- Controls
- Wiring

## MECHANICAL DETAILS



## CONNECTION DETAILS

+Ve Supply	0V Supply	Signal
Red	Black	White

## Contact us

KA Sensors Ltd  
Unit 13 Priest Court  
Springfield Business Park  
Grantham  
United Kingdom  
NG31 7FZ

bf1systems.com  
sales@kasensors.com

KAP  
KA022P-DS (rev1)