

NPT SERIES NPT1 FLUID TEMPERATURE SENSOR



The NPT1 Series of High Performance Temperature Sensors are designed to measure the temperatures of fluid in demanding motorsport and automotive testing applications.

The sensing element can be either a PT1000 or a NTC 3KΩ Thermistor; calibration of each is well defined and can be installed into most common ECUs and data logging systems.

Construction in either brass or stainless steel with standard motorsports cable and sleeve will protect from the harsh environments around the vehicle.

The NPT1 Series are race proven in many formulae around the world and offer a reliable and robust solution for professional engineers.

TECHNICAL SPECIFICATIONS

Ranges (FS)	-30°C to +150°C		NTC3KΩ	PT1000
Accuracy	<±1°C	Temp °C	Output Ω	Output Ω
Response Time	<10 Seconds	-30	53100.00	882.20
Sensor Type	NTC 3KΩ or PT1000	-20	29121.00	921.60
Construction	Brass or Stainless Steel	-10	16599.00	960.90
Electrical Connection	100cm, 26AWG 55 Spec wire + DR25 Sleeve	0	9795.00	1000.00
Mechanical Connection	1/8 Inch NPT Male (ANSI B1.20.1)	10	5970.00	1039.00
Protection Class	IP67	20	3747.00	1077.90
Weight (Excluding Cable)	Brass: 20g Stainless Steel: 20g	25	3000.00	1097.30
		30	2417.10	1116.70
		40	1598.10	1155.40
		50	1080.90	1194.00
		60	746.40	1232.40
		70	525.60	1270.80
		80	376.50	1309.00
		90	274.59	1347.10
		100	203.46	1385.10
		110	153.09	1422.90
		120	116.79	1460.70
		130	90.28	1498.30
		140	70.58	1535.80
		150	55.79	1573.30

KA Sensors adopts a continuous development program which Sometimes necessitates specification changes without notice.

Sense
Analyse
Control

Features

- 1/8" NPT Thread
- Miniature Size
- -30°C to +150°C
- PT1000 or NTC
- Rugged Construction

Applications

- Coolant
- Water
- Brake
- Fuel
- Oil

bf1systems.com

sales@kasensors.com

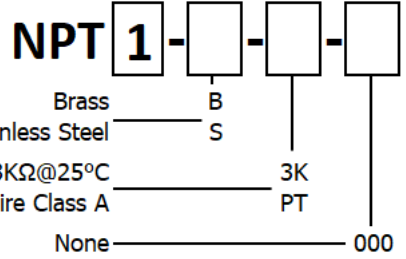
NPT1
KA034T-DS (rev1)

PART NUMBER CONFIGURATOR

Construction

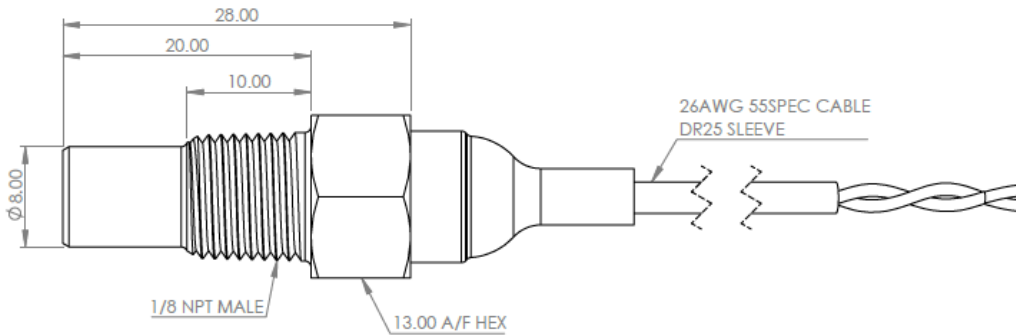
Sensor Type

Special Code



*Sense
 Analyse
 Control*

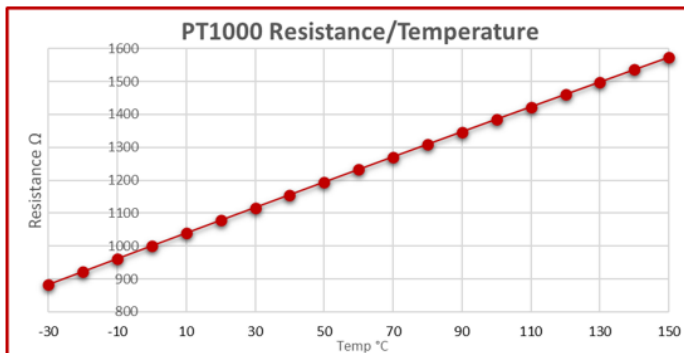
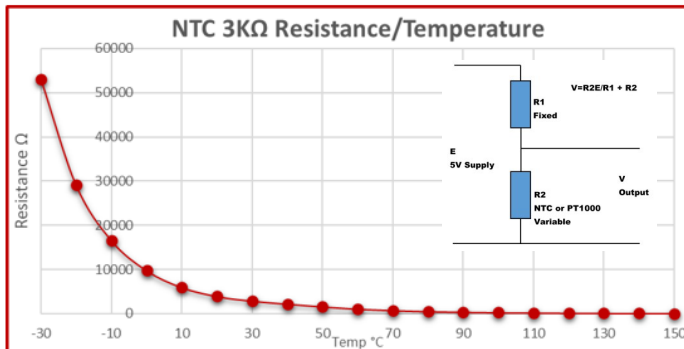
MECHANICAL DETAILS



Services for:

- Data Logging
- Telemetry
- Controls
- Wiring

NTC 3KΩ / PT1000 TEMPERATURE GRAPHS



Contact us

KA Sensors Ltd
 Unit 13, Priest Court
 Springfield Business Park
 Grantham
 United Kingdom
 NG31 7FZ

bf1systems.com
 sales@kasensors.com

CONNECTION DETAILS

Output	Output
Red	White

NPT1
 KA034T-DS (rev1)